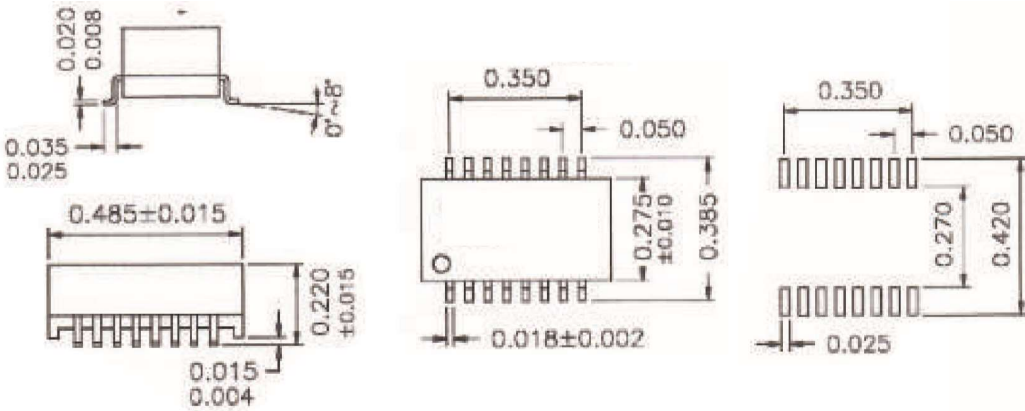
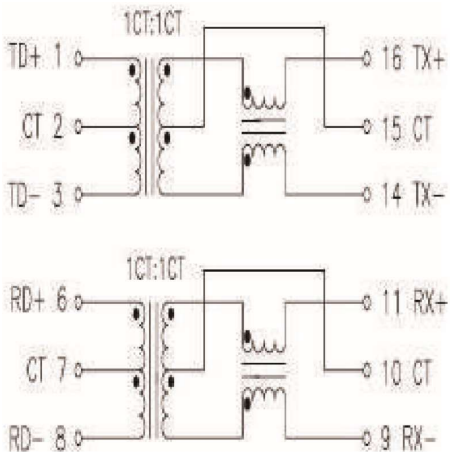


## Dimensions



Dimensions are in Inches[Millimeters] with the following.  
Tolerances: [Millimeters] are for reference only.  
.XX=±.01[±0.25]  
.XXX=±.005[±0.13]

## Schematic Drawing



## Electrical Properties

Parameter	Specifications
Operating Temperature	0°C to 70 °C
Turns Ratio	1:1 ± 5%
Polarity	PER Schematic
Insertion Loss 100KHz	-1.0dB Max
Insertion Loss 1MHz - 125MHz	-0.2-0.002*f <sup>1.4</sup> dB Max
Return Loss 0.1-30MHz	-18dB Min
Return Loss 30-60MHz	-10 +20log <sub>10</sub> (f/60) dB Min
Return Loss 60-80MHz	-12dB Min
Inductance(OCL) (Media Side, 0 to 70 °C)	350μH Min (Measured at 100KHz,0.1V and with 8mA DC bias)
Cross Talk 1MHz	-38dB Min
Cross Talk 10-100MHz	-38 +17log <sub>10</sub> (f/10) dB Min
Common Mode Rejection Ratio 2MHz	-35dB Min
Common Mode Rejection Ratio 30-200MHz	-40 +22log <sub>10</sub> (f/30) dB Min
Input-Output Isolation	1500Vrms Min at 60 Seconds

Ethernet Transformer/Choke.

Meets IEEE 802.3 Specification.

Comply with RoHS & Halogen Free requirements.

Storage condition: Temperature Range: -20°C ~ 125°C.



**东莞善上电子有限公司**  
**Sunshine Electronics Co.,LTD.**

**Description**

**Part NO.**

**Rev.**

**Page**

Network Transformer

NO120912C10

B

1 of 1